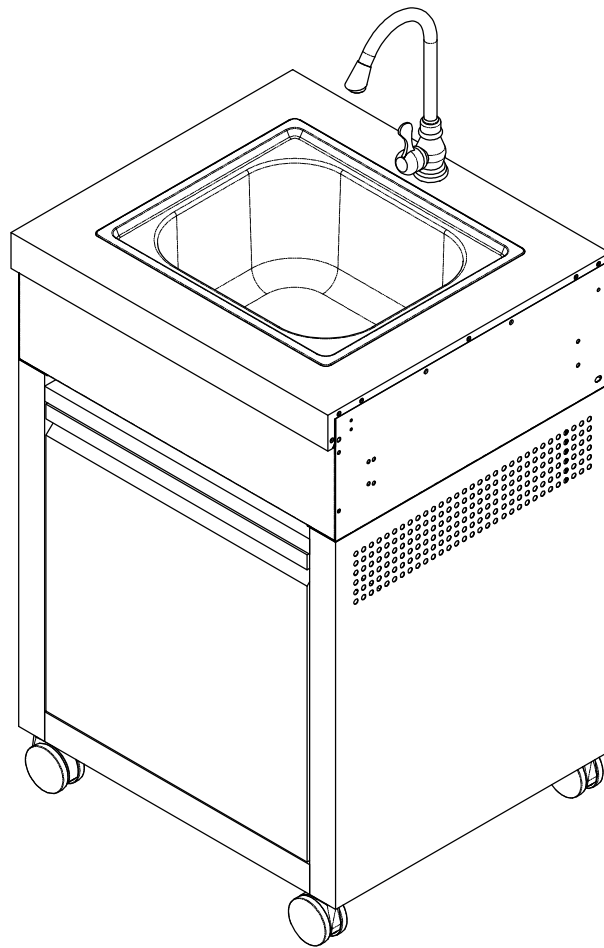


## *OPERATING AND ASSEMBLY INSTRUCTIONS*



- *Drain hose included*
- *Tap connection and hose not included*

*Tap inlet suitable for 3/4" BSP snap-on hose adaptor*

*These instructions are a guide to assembling and using the Outdoor sink*

*Please read carefully, and retain for future reference.*

*Illustration may vary from unit contained in carton.*

**TABLE OF CONTENTS**

General Information _____	2
Pre-Assembly _____	2
Assembly _____	3-6
Assembly – General _____	7
Parts Diagram / List _____	8-9
Assembly – Drain to Sink _____	10

**FOR CUSTOMER REFERENCE***(Record and file in a safe place)*

Purchased from \_\_\_\_\_

Date purchased \_\_\_\_\_

Serial No. \_\_\_\_\_

**NOTE:** Sales docket must be kept as proof of purchase date.**P R E - A S S E M B L Y****GENERAL**

While it is possible for one person to assemble the Sink/Workstation, we recommend asking for the assistance of another person when manoeuvring some of the larger and heavier pieces.

**ASSEMBLY TIPS**

1. Flatten cardboard packaging and use this as a protective work surface to assemble upon.
2. Some protective coating may need to be removed from components prior to assembly.
3. Unless specified otherwise, do not tighten screws and nuts until trolley is fully assembled.
4. Pre-screwing of connection points for securing the side shelves will assist in securing shelves smoothly.

**CHECK FOR ANY DAMAGE**

Before attempting to assemble this appliance, check that all the necessary parts have been included using the parts list opposite. Inspect parts as you proceed.

Contact your place of purchase for assistance regarding replacement of any damaged or missing parts. Supplier contact details are on the back cover of the instruction manual.

Do not assemble or operate an appliance that appears damaged.

**TOOLS YOU WILL NEED**

Standard Phillips-head screwdriver.  
Adjustable spanner (*open end shifter*).

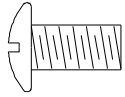
**CARTON CONTENTS OUT DOOR SINK**

<i>Description</i>	<i>Qty</i>
<b>Outdoor Sink</b>	
Trolley side panel – <i>right</i>	1
Trolley side panel – <i>left</i>	1
Trolley rear panel	1
Castors	4
Bottom shelf	1
Trolley bracket – <i>front</i>	1
Door	1
Door Stop Plates	2
Body Assembly	1
Tap	1
Drain assembly	1
Drain hose	1
Hardware pack	1

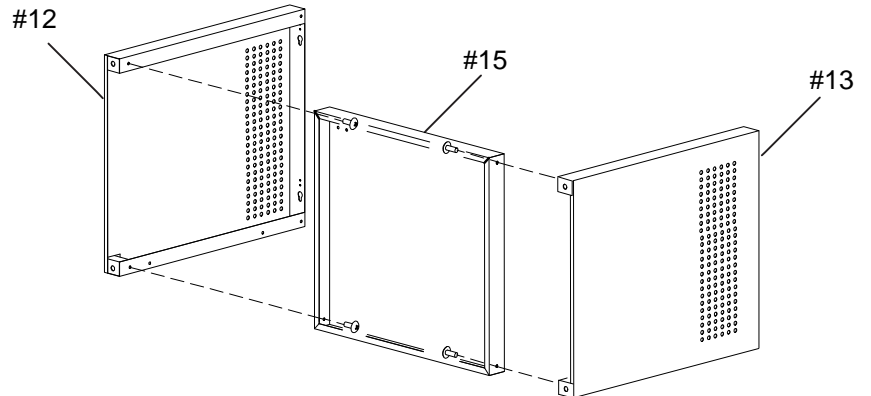
1. Study the assembly diagram first then identify separate parts into groups.
2. DO NOT TIGHTEN BOLTS UNTIL ALL FITTINGS ARE IN POSITION, UNLESS SPECIFIED.

**NOTE: Trolley assembly is same for sink modules.**

1. Install Trolley Side Panels onto Trolley Bottom Panel

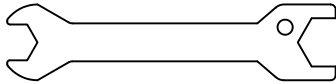


Phillips Head Screw 1/4"x1/2"  
Qty.4

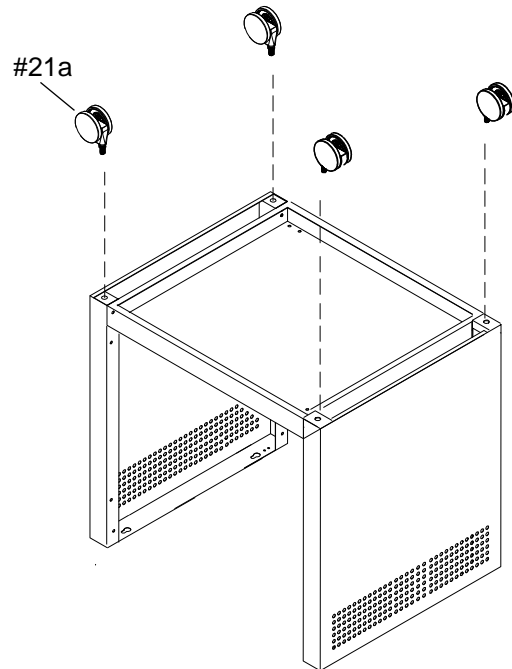


2. Castors.

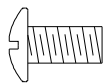
**Note:** Depending on the installed requirements either fixed feet or castors may be fitted.



Spanner  
Qty.1



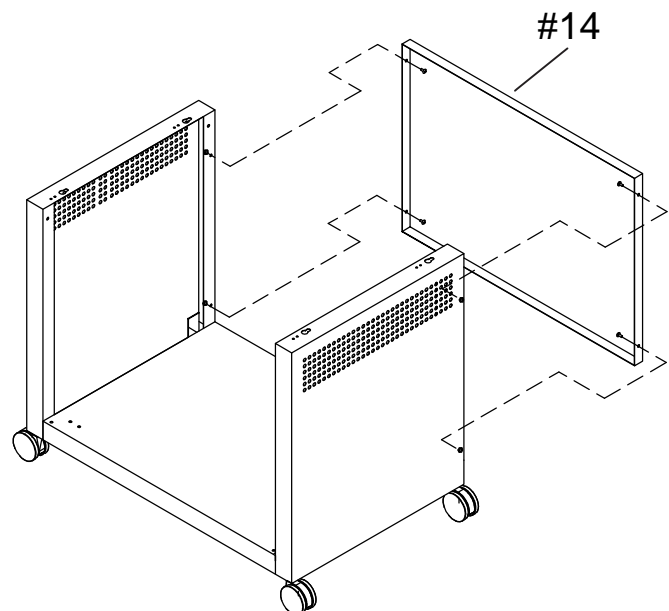
3. Install Trolley Rear Panel



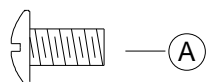
Phillips Head Screw 3/16"x3/8"  
Qty.4



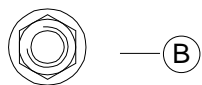
Flange Nut 3/16"  
Qty.4



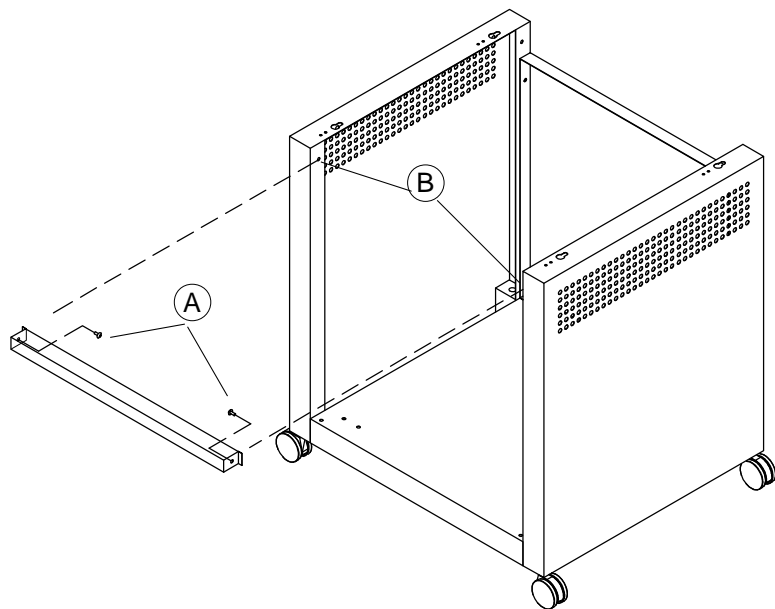
4. Install Door Bracket



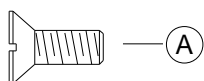
Phillips Head Screw 3/16"x3/8"  
Qty.2



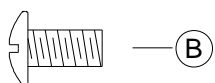
Flange Nut 3/16"  
Qty.2



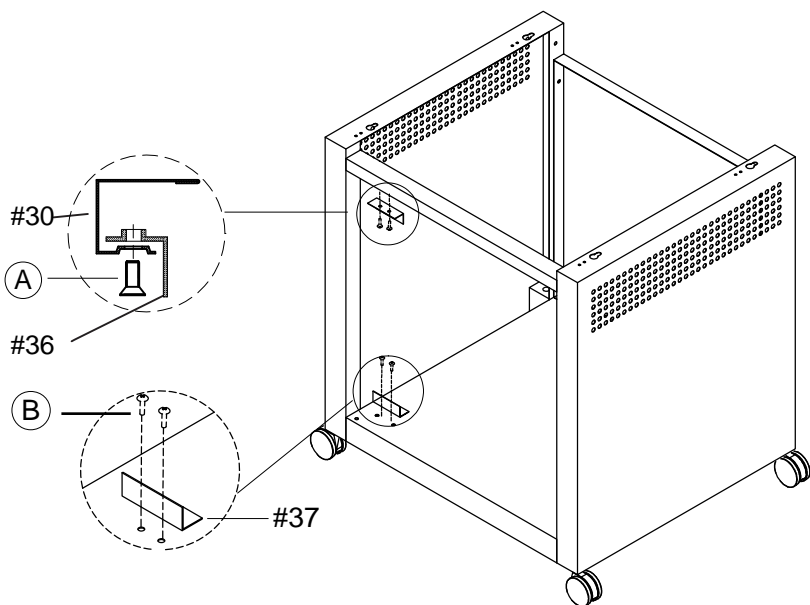
5. Install Door Stop Plate



Countersunk Flat Head Screw 3/16"x3/8"  
Qty.2



Phillips Head Screw M5x10MM  
Qty.2

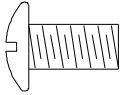


**OUTDOOR SINK****7. Install sink head to the trolley**

Partially screw the screws into the bottom of the head.

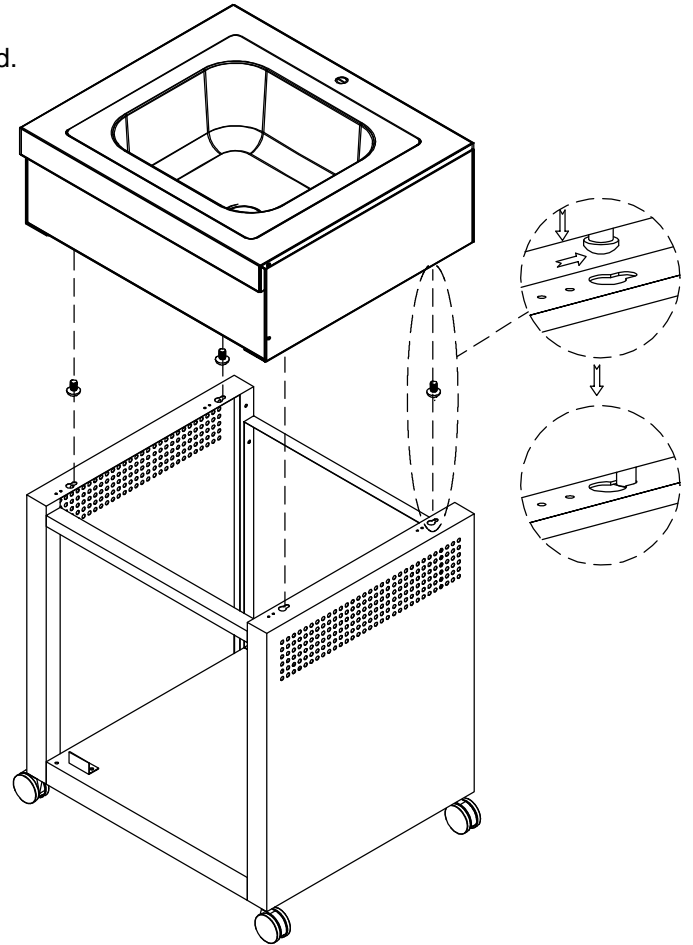
Locate into the keyhole' openings and slide back.

Tighten screws.



Phillips Head Screw 1/4"x1/2"

Qty.4



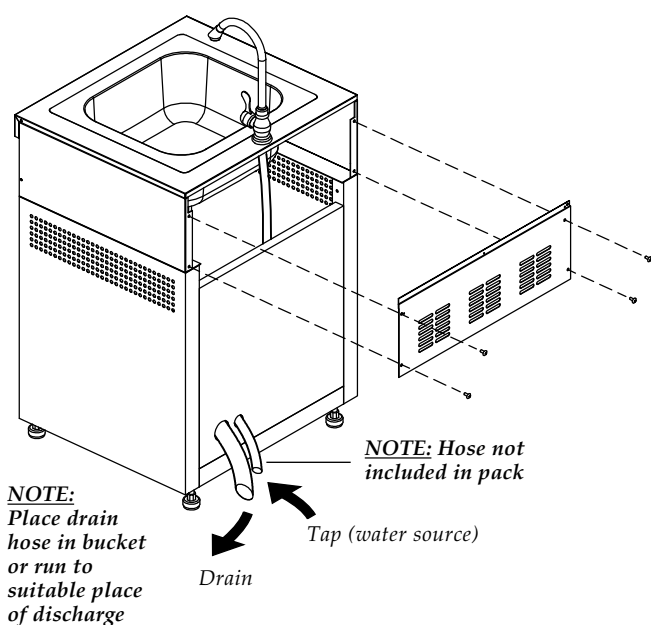
### INSTALL TAP AND DRAIN OUTDOOR SINK

#### Tap

Remove the two factory-installed screws securing the rear panel. Pull bottom edge of panel forward then slide downward to remove.

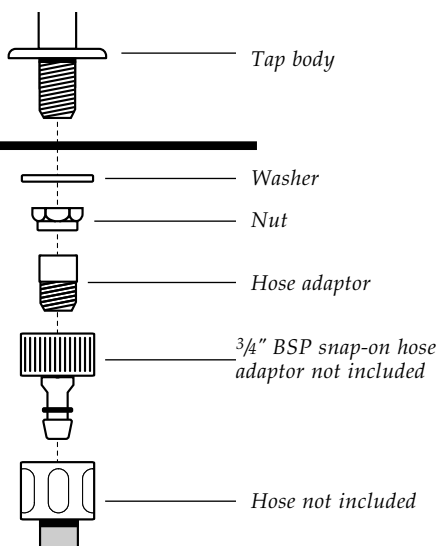
On re-attaching, assemble with seven  $\frac{3}{16}$ " x  $\frac{3}{8}$ " screws (four extra screws are supplied separately).

**NOTE:** Top 3 screws are silver colour, bottom four screws are black colour.



**NOTE:**  
Place drain hose in bucket or run to suitable place of discharge

**NOTE:** Hose not included in pack



**NOTE:**  
Thread sealant required, for example, teflon tape

#### Drain

Refer to separate instructions supplied.

### INSTALL SIDE SHELVES

**NOTE:** Side shelves are packed with the Modular barbecue.

The side shelves may be installed to any of the barbecue, Outdoor Range, and Sink / Workstation modules, depending on the configuration preferred. See next page.



**DO NOT USE OVEN CLEANER TO CLEAN THE STORAGE CABINET. SOME PROPRIETARY BARBECUE CLEANERS MAY AFFECT / DAMAGE SOME OF THE SURFACE COATINGS USED ON THIS APPLIANCE. READ THE CLEANER INSTRUCTIONS CAREFULLY. IT IS RECOMMENDED TO TEST FIRST IN AN INCONSPICUOUS PLACE. GENERALLY WE RECOMMEND ONLY WARM SOAPY WATER FOR CLEANING THIS APPLIANCE.**



**IN COASTAL AREAS, FREQUENT CLEANING AND THE USE OF A COVER IS RECOMMENDED TO PROLONG THE LIFE OF THE APPLIANCE. SALTY AIR WILL ADVERSELY AFFECT EXPOSED PARTS.**

### CLEANING AND MAINTENANCE

Proper care and maintenance will keep your Storage Cabinet in top operating condition and prolong its life. Follow these cleaning procedures on a timely basis and your Storage Cabinet will stay clean and operate with minimum effort.

### CLEANING EXTERIOR SURFACES

Before initial use and periodically thereafter we suggest you wash your Storage Cabinet using a mild soap and warm water solution. You can use a wash cloth or sponge for this process. Do not use a stiff wire or brass brush. These will scratch stainless steel and chip painted surfaces (varies by model) during the cleaning process.

### CARE FOR STAINLESS STEEL

The stainless steel over time will be affected by 'tea staining' (the brown discolouration of some stainless steel).

Tea staining can be reduced by washing the surface with mild detergent and warm water. This should then be followed by rinsing with clean cold water. We recommend the surface then be wiped dry with a clean cloth.

After drying coat with a light film of oil such as a 50/50 mix of baby oil and methylated spirits. There are also proprietary products available from your local retailer. Such as Kleenex®viva® Stainless Steel Wipes.

### STORAGE

We recommend that you minimise the exposure of the Storage Cabinet to the elements.

High moisture content in the air (rain, mist, salt spray etc.) can affect metal components and lead to material breakdown. If left in an area subjected to high moisture content, we strongly recommend that you observe the cleaning procedure on a regular basis and cover the appliance whilst not in use.

Material breakdown from high moisture conditions can be avoided if the appliance is well protected from the weather and regular cleaning is performed.

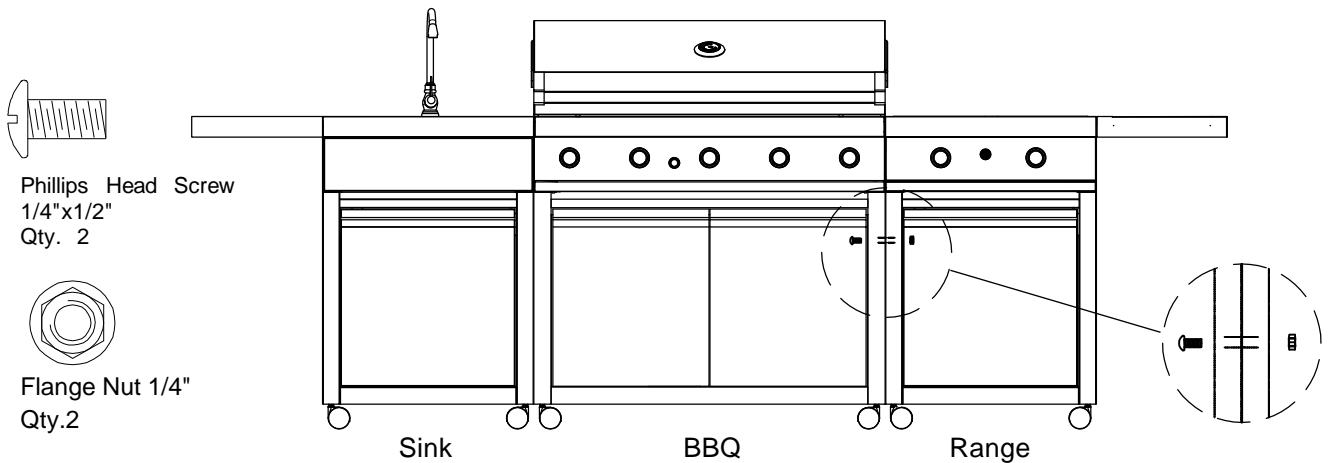
**CONFIGURATION SUGGESTIONS**  
**Modular Outdoor Kitchen**

**NOTE:** Modules can be attached together using 1/4" x 5/8" part-threaded screws provided into openings located on the trolley side panels.

**INSTALL SIDE SHELVES**

**Note:** Side shelves are not supplied with this appliance. They are supplied with the barbecue.

The side shelves may be installed to any of the Modular Outdoor Kitchen modules, Barbecue, Outdoor Range and Sink / Workstation module, depending on the configuration preferred.

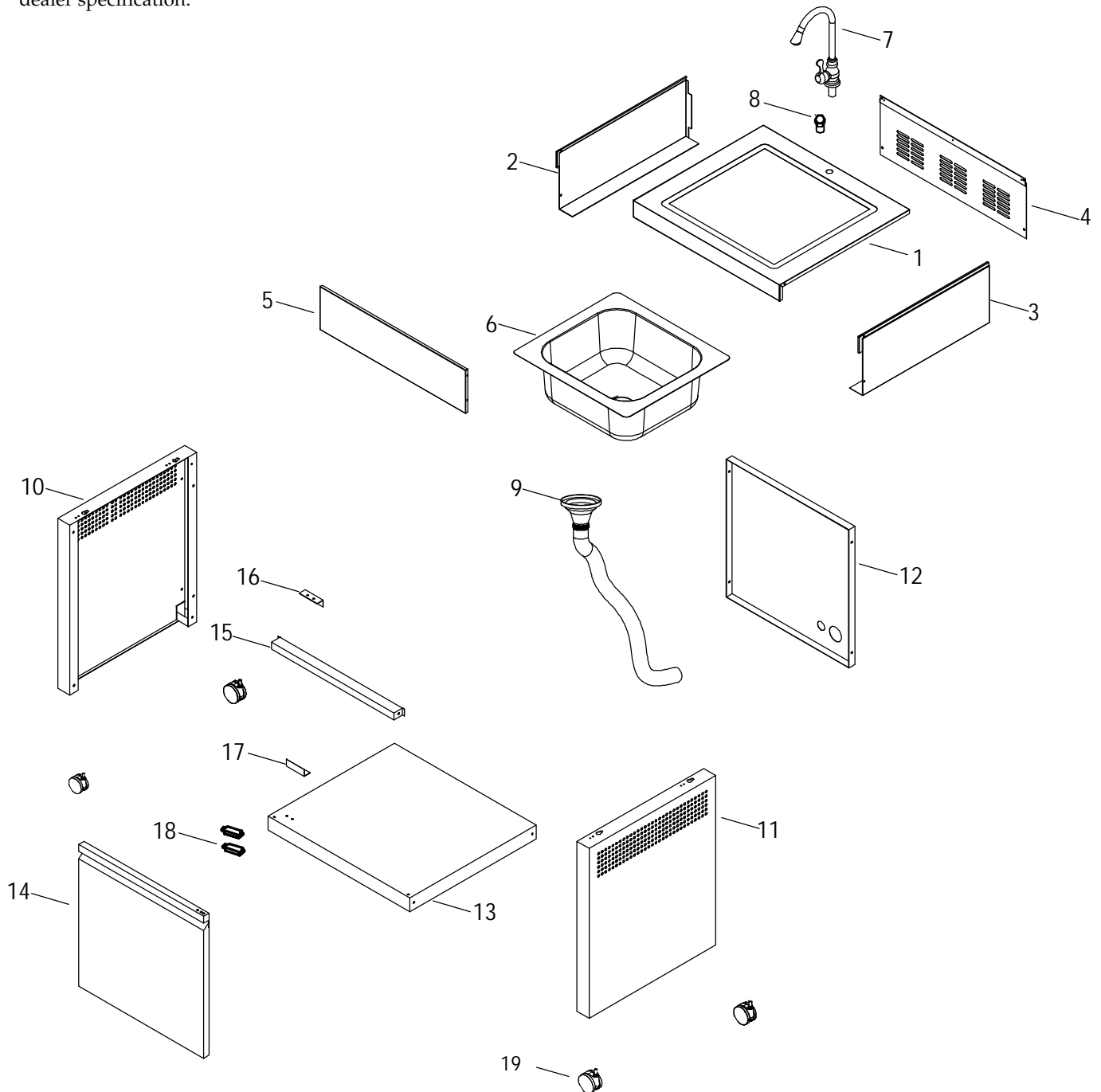


**OUTDOOR SINK**

This diagram is provided to assist you identify parts if replacement is necessary.

Contact the place of purchase or manufacture to enquire about parts, availability and/or service.

Items included in Outdoor Range barbecue specification may differ from parts list, depending on region or specific dealer specification.

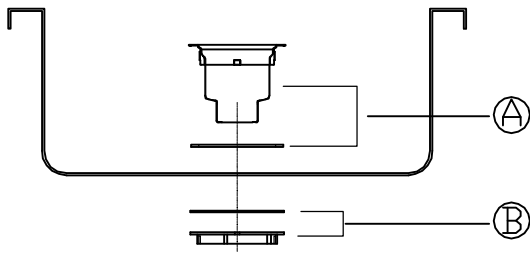




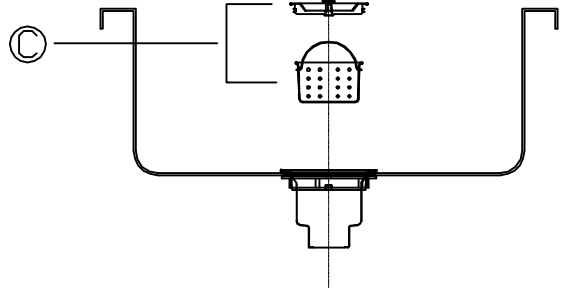
**OUTDOOR SINK**

NO	DESCRIPTION	Part No.	Qty
1	Body Panel, Top	P0071312S4	1
2	Body Panel, Left	P0076225AB	1
3	Body Panel, Right	P0076125AB	1
4	Body Panel, Rear	P033031886	1
5	Control Panel	P0291384BE	1
6	Sink	P007131335	1
7	Tap	P05513031M	1
8	Hose adaptor	Y0150004	1
9	Drain pipe assembly	P05513032M	1
10	Trolley Panel-Left	P07502037W	1
11	Trolley Panel-Right	P07503029W	1
12	Trolley Panel-Rear	P07702136W	1
13	Trolley Bottom Panel	P010020825	1
14	Door	P043040194	1
15	Cart Bracket, Front	P03301071X	1
16	Door guid - upper	P05510144M	1
17	Door guid - lower	P05510143M	1
18	Magnet seat	P05523001K	2
19	2.5"caster	P05118006A	4
	Hardware pack	P06003202A	1
	Spanner	P055151348	1

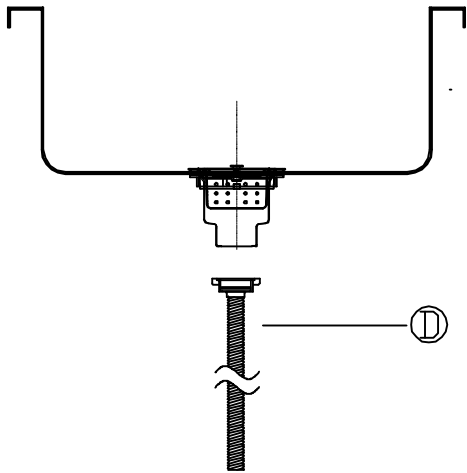
STEP 1



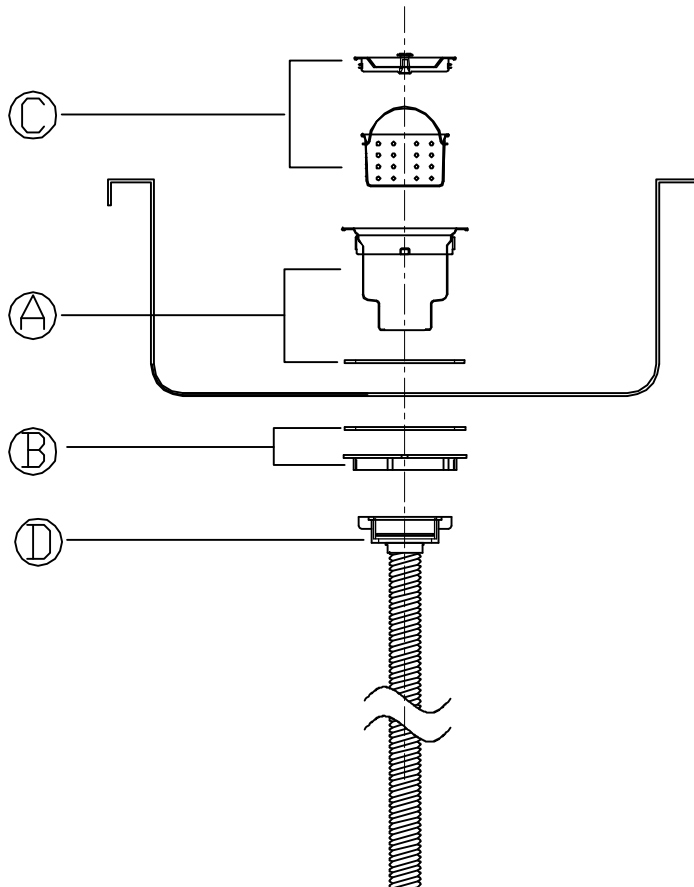
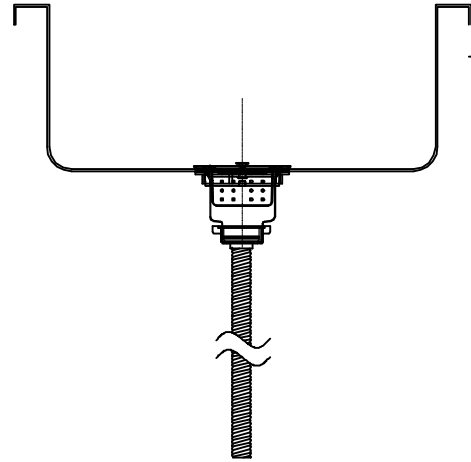
STEP 2



STEP 3



STEP 4





## SERVICE

The OLD Com B.V.  
Tolstraat 17A  
7482 DC Haaksbergen  
The Netherlands  
T: +31 (0) 53 231 3010  
grandhall@grandhall.eu

All specifications are subject to change without notice.

Toutes les caractéristiques sont susceptibles d'être modifiées sans préavis.

Änderungen ohne vorherige Bekanntgabe vorbehalten.

Tutti i dati tecnici possono cambiare senza preavviso.

Alle specificaties kunnen zonder voorafgaande kennisgeving worden gewijzigd.

Kaikki oikeudet teknisten tietojen muutoksiin pidätetään.

Kaikki yksityiskohdat voivat muuttua ilman, etta niistä erikseen ilmoitetaan.

Todas las especificaciones están sujetas a cambios sin previo aviso.

Todas as especificações estão sujeitas a alteração sem aviso.

Alle specificationer kan ændres foruden varsel.

Spesifikasjoner kan endres uten varsel.

- (IE) (GB) NOTE:** This information is a guide only. Items included in your BBQ specification may differ depending on region or specific dealer specification.
- (CH) (FR) NOTE:** Ces renseignements sont donnés à titre indicatif. Il est possible que les articles inclus dans les spécifications de votre barbecue diffèrent selon la région ou les caractéristiques stipulées par le concessionnaire.
- (AT) (CH) (DE) ANMERKUNG:** Diese Anleitung dient nur zu Informationszwecken. Einzelteile der Grillspezifikation sind unter Umständen verschieden entsprechend der Vertriebsregion oder bestimmten Händleranforderungen.
- (CH) (IT) AVVERTENZA:** Queste informazioni hanno il valore di guida soltanto. Gli articoli compresi nelle caratteristiche tecniche del barbecue potrebbero variare a seconda della regione o del concessionario.
- (BE) (NL) ATTENTIE:** Deze informatie is alleen bedoeld als gids. Onderdelen in uw BBQ specificatie en pakket kunnen per regio of per dealer verschillen.
- (SE) ANM.:** Denna information är endast avsedd som handledning. Specifikationerna för grillen kan variera regionalt eller beroende på de krav som olika återförsäljare har.
- (FI) HUOMATKAA:** Nämä tiedot ovat pelkästään suuntaa antavia. Ostamanne grillin yksityiskohdat voivat olla erilaiset paikkakunnan tai erityisten myyjäkohtaisten yksityiskohtien mukaan.
- (ES) NOTA:** Esta información es una guía únicamente. Es posible que las indicaciones incluidas en las especificaciones de su Asador sean diferentes según la región o las especificaciones específicas del representante.
- (PT) NOTA:** Esta informação é simplesmente um guia. Os itens incluídos na especificação do seu BBQ poderão diferir dependendo da especificação da região ou do vendedor específico.
- (DK) NB:** Denne information er kun vejledende. Specifikationer kan variere efter ønske fra forhandler, eller i henhold til nationale regler.
- (NO) NB:** Denne informasjon er kun veiledende. Spesifikasjoner kan variere som stipulert av forhandler, eller i henhold til nasjonale krav.

Manufacturer:

Grand Hall Enterprises Co. Ltd.  
9th Fl. No 298 Rueiguang Rd  
Neihu, Taipei, Taiwan