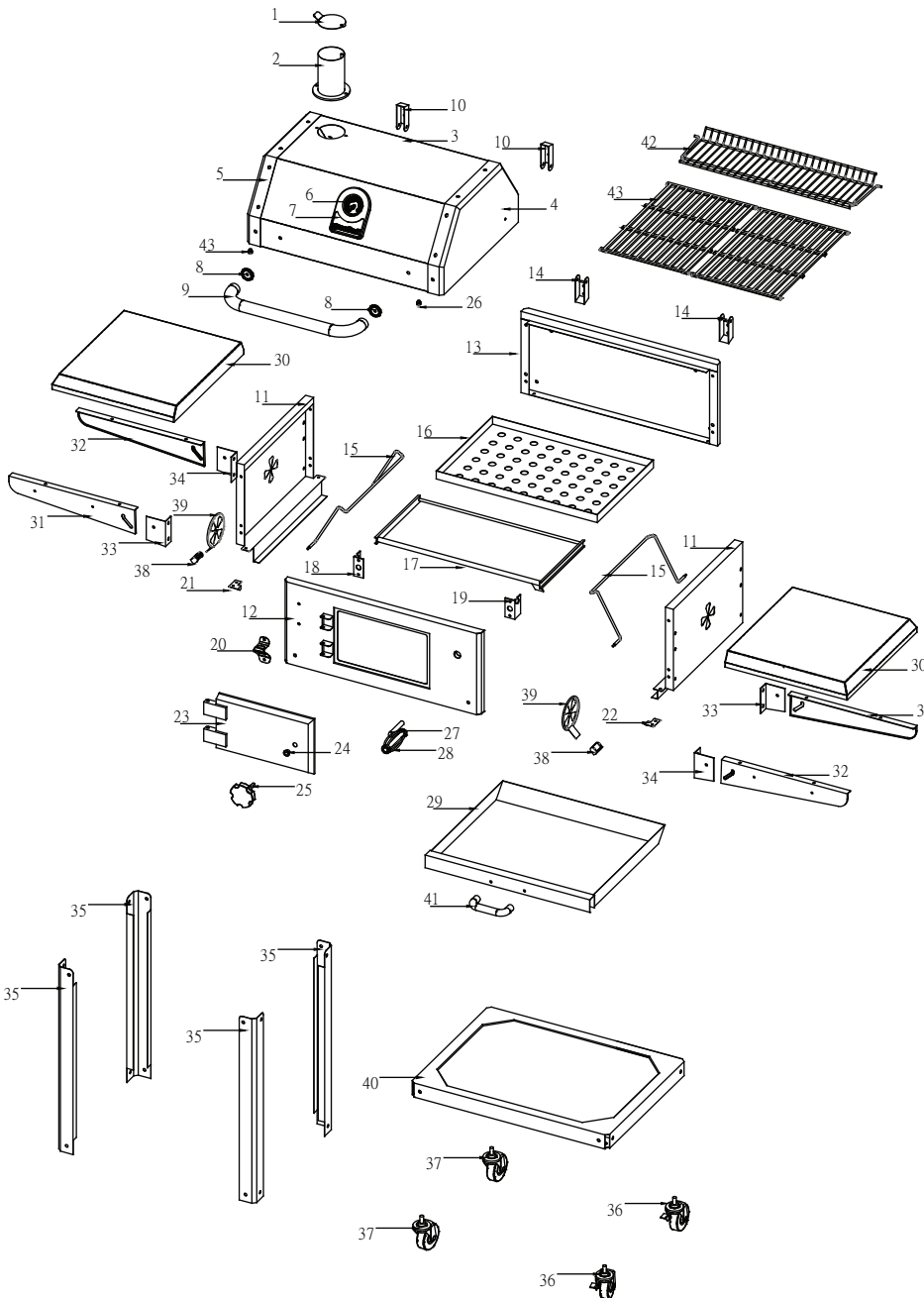


## Xenon Charcoal

This diagram is provided to assist you identify parts if replacement is necessary. Contact your place of purchase or the manufacturer to inquire about parts, availability and service.

Items included in your barbecue specification may differ from the parts list, depending on region or specific dealer specification.



KEY	DESCRIPTION	QTY
1	Chimney cover	1
2	Chimney	1
3	Hood panel	1
4	Hood end cap right	1
5	Hood end cap left	1
6	Thermometer	1
7	Logo badge	1
8	Hood handle end cap	2
9	Hood handle	1
10	Hood Hinges(Upper)	2
11	Firebox side Panel	2
12	Firebox Front Panel	1
13	Firebox Rear Panel	1
14	Hood (lower)	2
15	Charcoal tray holding wire	2
16	Charcoal tray	1
17	Charcoal tray lifting bracket	1
18	Crank lifting bracket(left)	1
19	Crank lifting bracket(Right)	1
20	Bottle Opener	1
21	Ash tray stopper(Left)	1
22	Ash tray stopper(Right)	1
23	Charcoal access door	1
24	Access door nut	1
25	Access door handle	1
26	Rubber pad	2
27	Crank lifting	1
28	Crank lifting handle	1
29	Ash tray	1
30	Side shelf	2
31	Side shelf Bracket(LF&RR)	2
32	Side shelf Bracket(RF&LR)	2
33	Folding bracket(LF&RR)	2
34	Folding bracket(RF&LR)	2
35	Trolley legs	4
36	Casters(W/ brake)	2
37	Casters(W/O brake)	2
38	Air vent handle	2
39	Controller	2
40	Bottom Panel	1
41	Ash tray handle	1
42	Warming Rack	1
43	Cooking Grid	2